





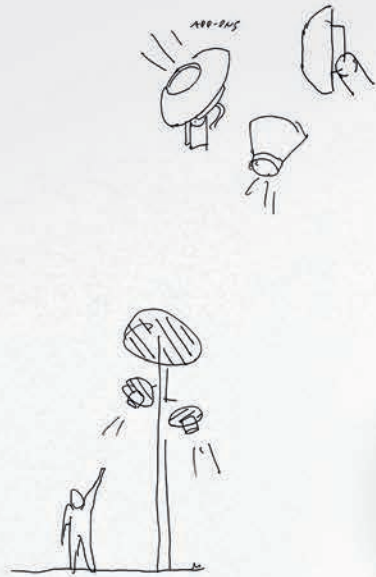
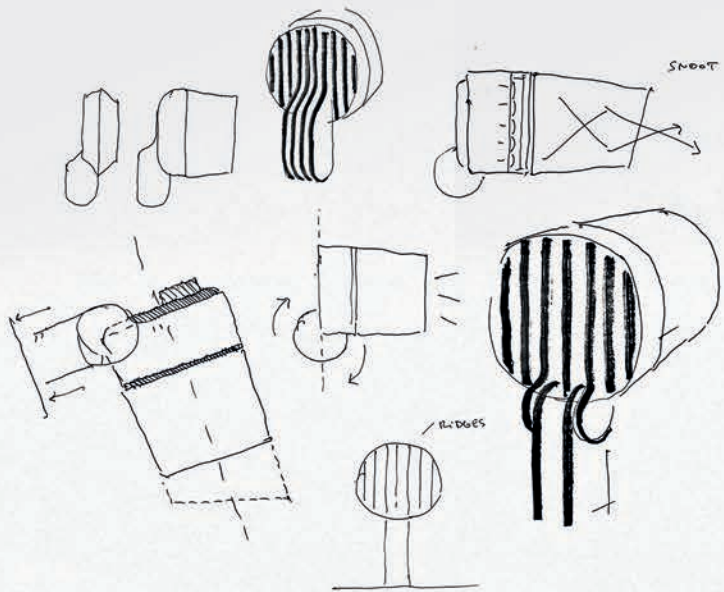
# 1 LUMINAIRE 100,000+\* CONFIGURATIONS

ewo Chameleon: 1st edition, August 2022 / Copyright: ©ewo srl/GmbH / Concept: Anja Stolte / Design: Designbuero Josef Grillmeier / Photography: beierle.goerlich /  
Renderings: Mirko Bocek / Product design: Geckeler Michels / 3D Close-ups: Michael Mauler / Project lead: Anabel Nächst / Print: Longo SPA, Via J. Kravogl 7, I-39100 Bolzano

\*4<sub>sizes</sub> × 2<sub>variants</sub> × 7<sub>accessories</sub> × 3<sub>mounting options</sub> × 12<sub>light distributions</sub> × 8<sub>light colours</sub> × 6<sub>control options</sub> × N<sub>body finishes</sub>







Designed by Berlin based  
GECKELER MICHELS





ARCHITECTURE AND THE ARTS









PUBLIC SPACE

PUBLIC SPACE







ROADS AND TRAFFIC





BODY OF LIGHT

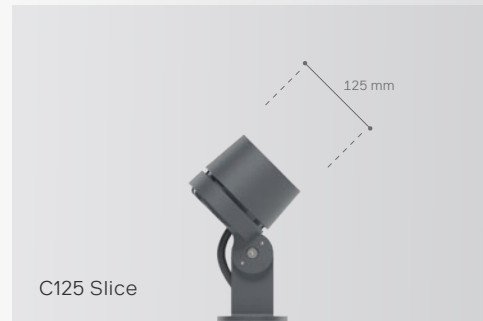




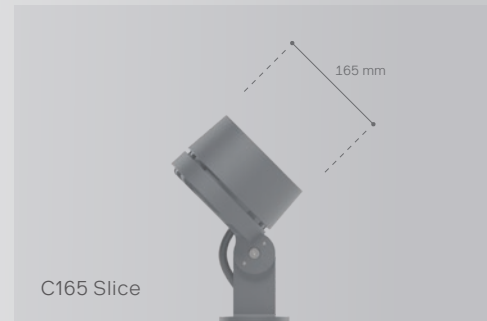
C165 Slice



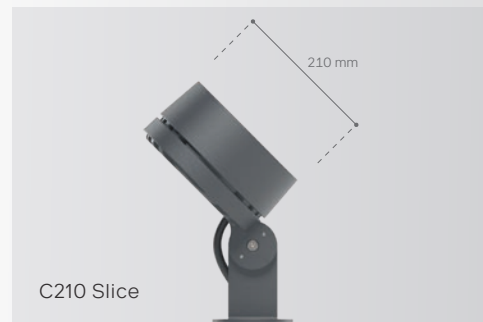
C165 Integral



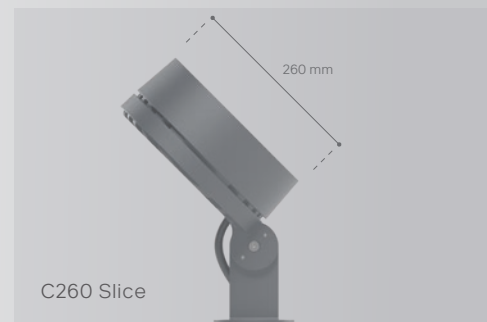
C125 Slice



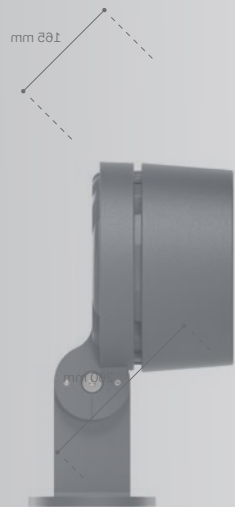
C165 Slice



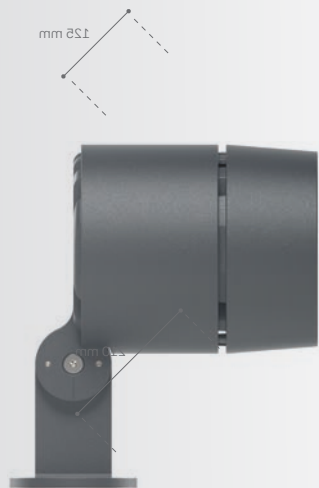
C210 Slice



C260 Slice



C165 Slice



C165 Integral



C125 Slice



C165 Slice



C210 Slice



C260 Slice







Monochrome



AG01  
Symmetric Narrow 12°



AG02  
Symmetric Medium 26°



AG03  
Symmetric Flood 48°



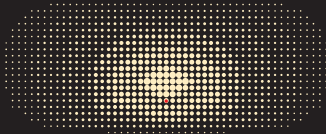
2,200 K  
CRI ≥ 80\*



AG04  
Symmetric Elliptical 10–40°



AH02  
Symmetric Wide Flood



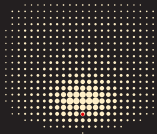
AP06  
Asymmetric Forward and Extra Side Throw



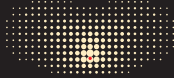
2,700 K  
CRI ≥ 80\*



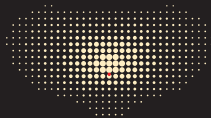
3,000 K  
CRI ≥ 80\*



AP07  
Asymmetric Extra Forward



AS07  
Asymmetric Side Throw



AS08  
Asymmetric Side and Forward Throw

\* additional light colours on request



Monochrome



2,200 K  
CRI ≥ 80\*



EG06  
Symmetric Ultra Narrow 4°



2,700 K  
CRI ≥ 80\*



3,000 K  
CRI ≥ 80\*



EG06  
Symmetric Extra Narrow 6°



4,000 K  
CRI ≥ 80\*

\* additional light colours on request



Tunable White  
+ RGBW



EGM01  
Symmetric Narrow 12°



2,200 K – 4,000 K  
(CRI 80 + CRI 80)



EGM01  
Symmetric Medium 25°

3,000 K – 5,000 K  
(CRI 80 + CRI 80)

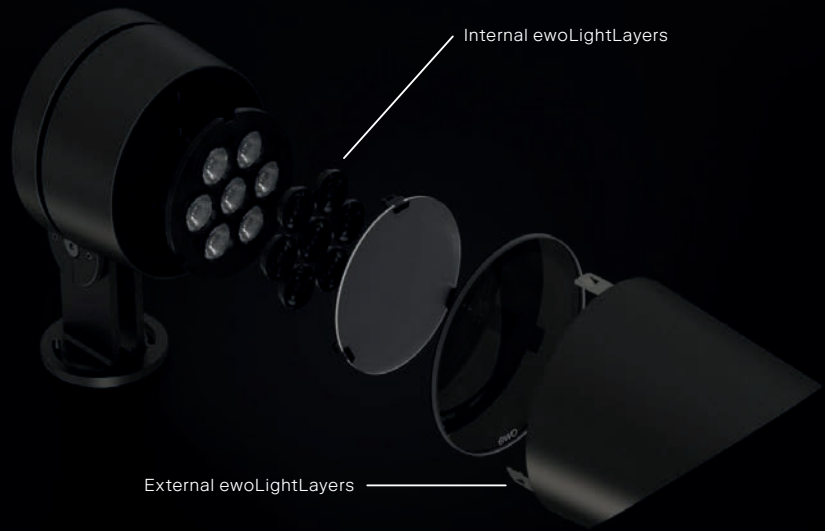


RGBW CRI ≥ 80



EGM01  
Symmetric Elliptical 14–70°

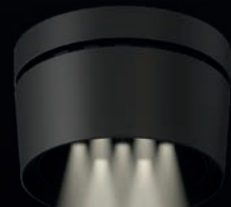
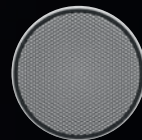
ewoLightLayers



Circular Louvre



Honeycomb Louvre





INTELLIGENCE OF LIGHT



\* ewo connexx

\*\* LineSwitch

