

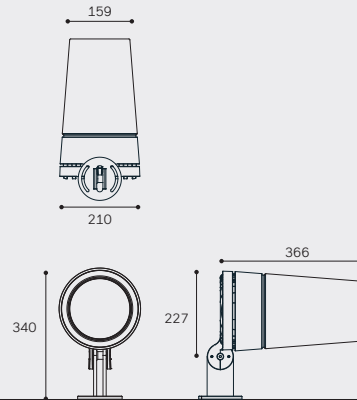
Chameleon

Chameleon C210 Slice GOBO 15°
Projektor

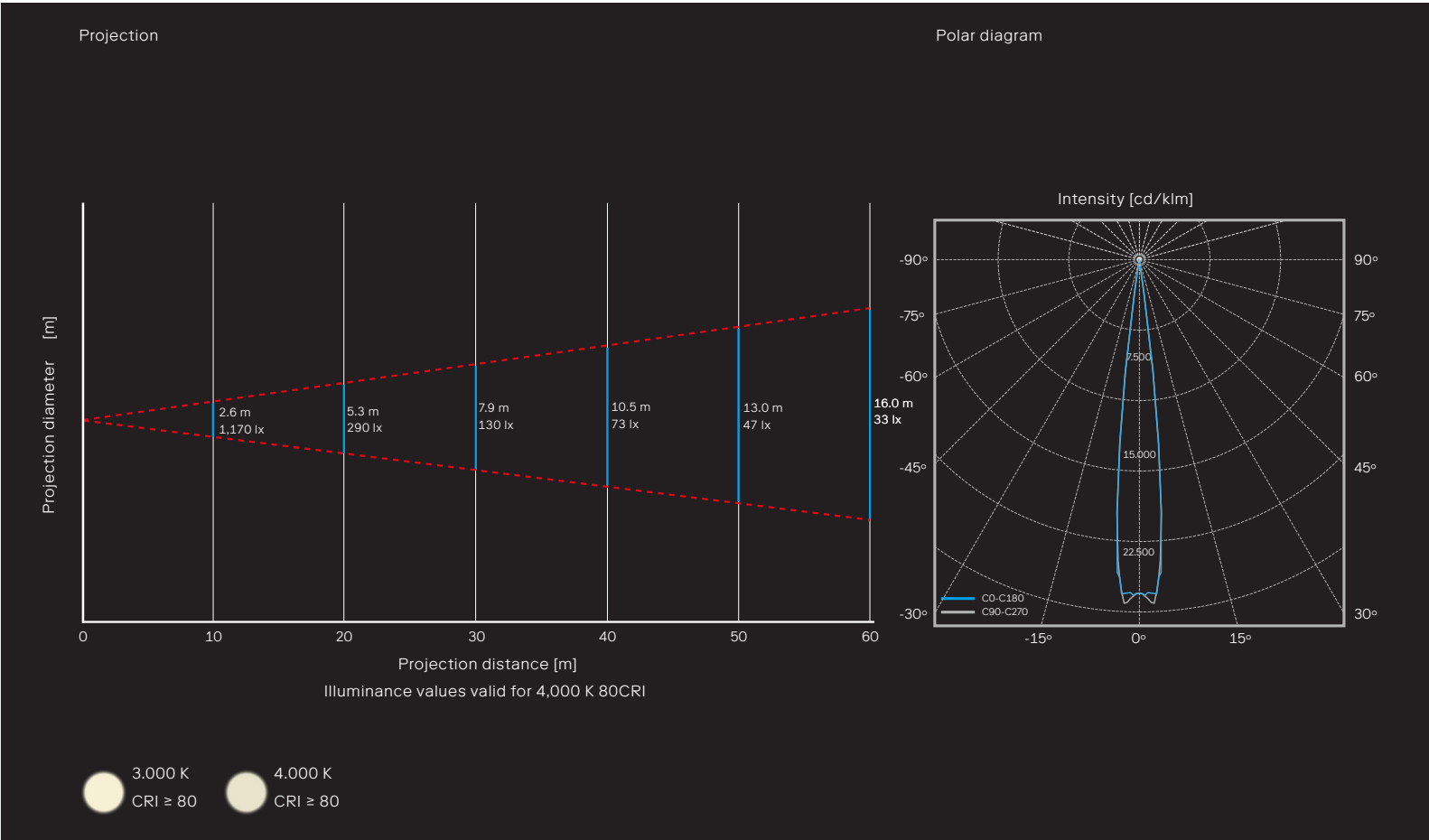


DB 703
Anthracite

ewo
color



CE IP66 RoHS IK08



Housing

Housing material	Aluminum die-cast
Housing finish	Polyester powder coating (ewoECP upon request**)
Finish standard colour	ewo colors *
Glass	Safety glass (ESG), anti-reflective treatment
Mounting options	Pole, wall, surface * other colors on request ** ewo three steps process (high quality alloy, pre-treatment, primer) to ensure extreme corrosion resistance

Measurements

Model	⊙	⊙	Weight [kg]
C210 GOBO	0.035*	0.08*	7.8*
	⊙ projected windage area [m²]		* without accessories
	⊙ lateral windage area [m²]		

Performance

Focal length [mm]	155
Beam angle	15°
Diameter GOBO [mm]	50, 66
Image size max. [mm]	40
Number of LEDs	16
System luminous flux [lm] 4,000 K	4,575

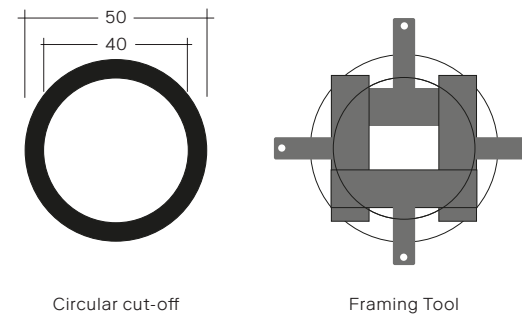
Electrical

Protection class	I / II
Voltage [V], [Hz]	-
Current max. [mA]	1,000
LED power max. [W]	46

Driver (external) Monochrome

Control Options	ON/OFF
Programming [optional]	Constant lumen output (CLO) Emergency power supply (AC/DC) Stand-alone
Control accessories	Further accessories on request
Software	connex light management software for remote management of intelligent luminaire clusters

Accessories

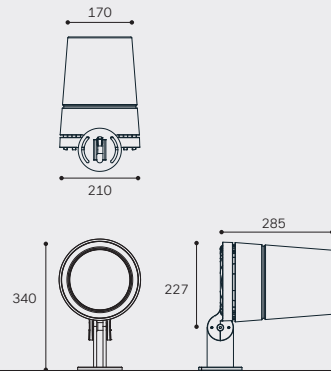


Chameleon

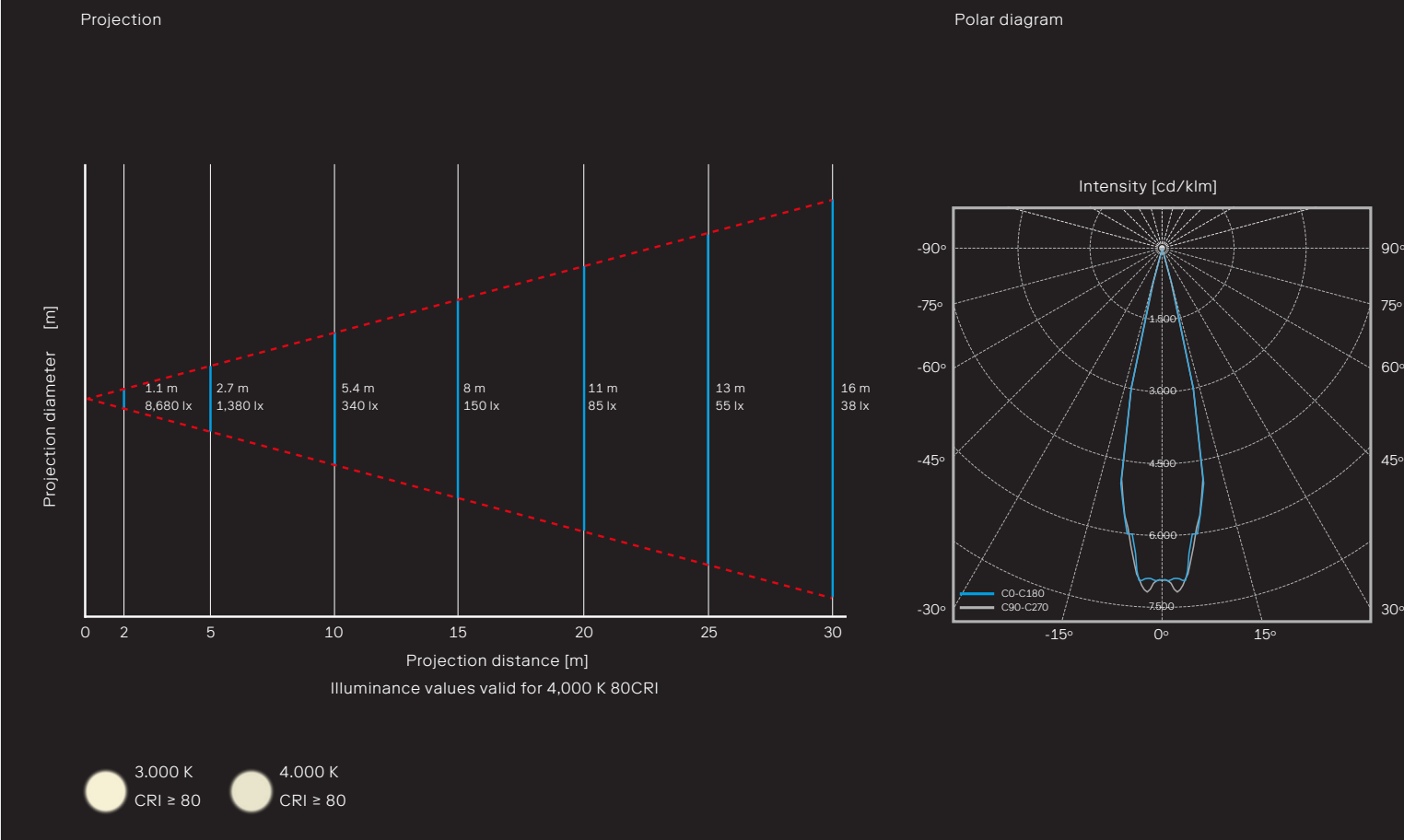
Chameleon C210 Slice GOBO 30°
Projektor



- DB 703 Anthracite
- ewo color



CE IP66 RoHS IK08



Housing

Housing material	Aluminum die-cast
Housing finish	Polyester powder coating (ewoECP upon request**)
Finish standard colour	ewo colors *
Glass	Safety glass (ESG), anti-reflective treatment
Mounting options	Pole, wall, surface * other colors on request ** ewo three steps process (high quality alloy, pre-treatment, primer) to ensure extreme corrosion resistance

Measurements

Model	θ_{proj}	θ_{lat}	Weight [kg]
C210 GOBO	0.035*	0.06*	6.6*

* without accessories

Performance

Focal length [mm]	77
Beam angle	30°
Diameter GOBO [mm]	50, 66
Image size max. [mm]	40
Number of LEDs	16
System luminous flux [lm] 4,000 K	4,700

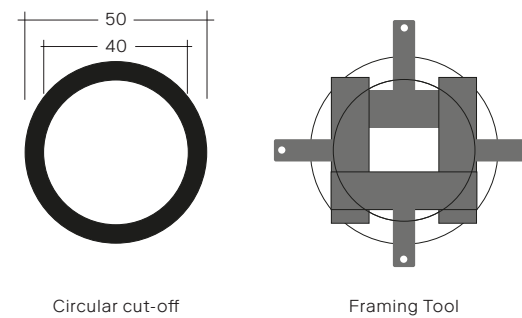
Electrical

Protection class	I / II
Voltage [V], [Hz]	-
Current max. [mA]	1,000
LED power max. [W]	46

Driver (external) Monochrome

Control Options	<input type="checkbox"/> ON <input type="checkbox"/> OFF
Programming [optional]	Constant lumen output (CLO) Emergency power supply (AC/DC) Stand-alone
Control accessories	Further accessories on request
Software	connex light management software for remote management of intelligent luminaire clusters

Accessories



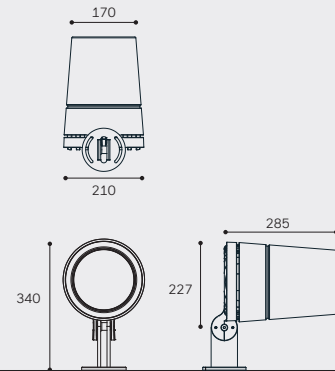
Chameleon

Chameleon C210 Slice GOBO 60°
Projektor

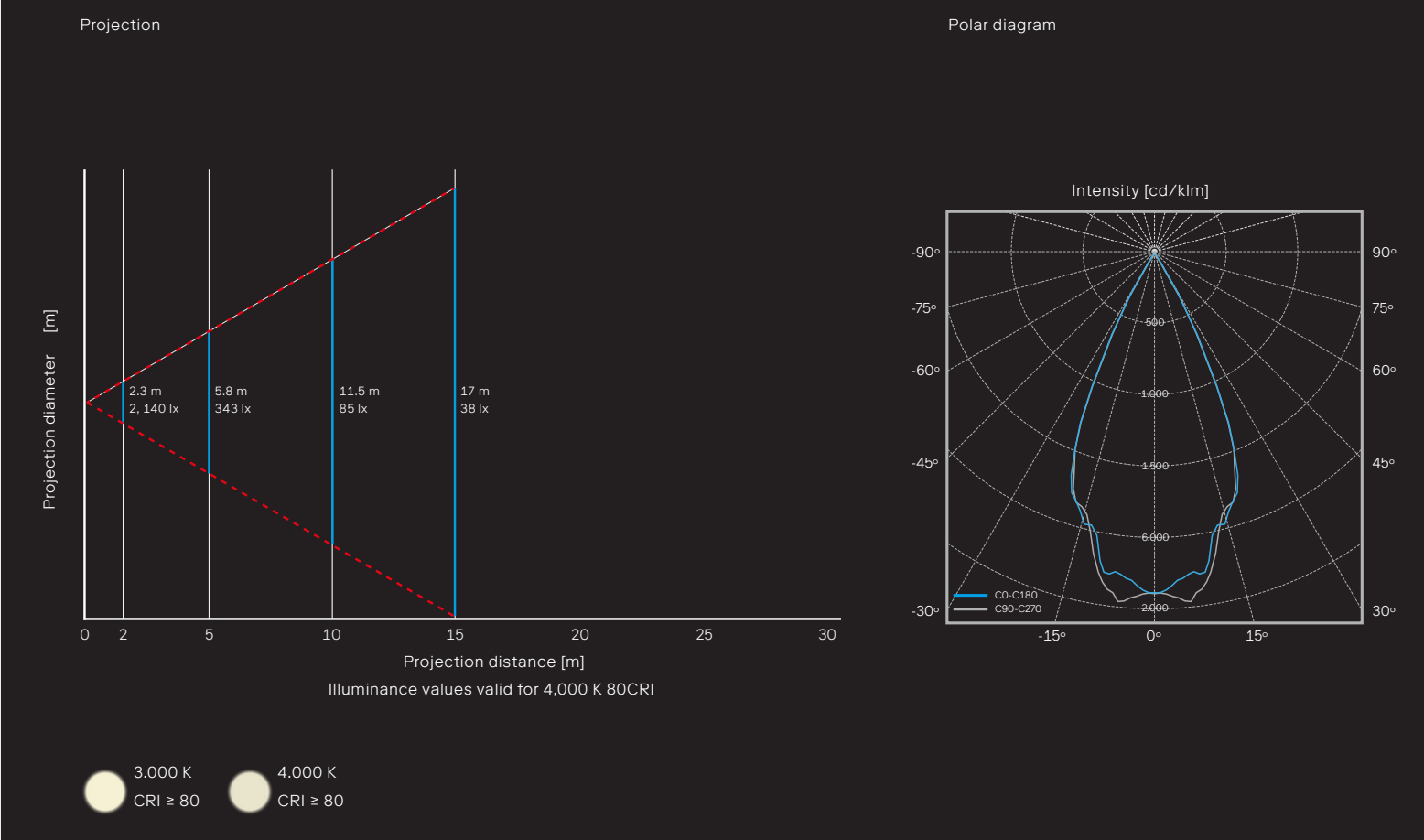


DB 703
Anthracite

ewo
color



CE IP66 RoHS IK08



Housing

Housing material	Aluminum die-cast
Housing finish	Polyester powder coating (ewoECP upon request**)
Finish standard colour	ewo colors *
Glass	Safety glass (ESG), anti-reflective treatment
Mounting options	Pole, wall, surface * other colors on request ** ewo three steps process (high quality alloy, pre-treatment, primer) to ensure extreme corrosion resistance

Measurements

Model	⊕ [⊙]	⊖ [⊙]	Weight [kg]
C210 GOBO	0.035*	0.06*	6.6*
	⊙ projected windage area [m²]		* without accessories
	⊙ lateral windage area [m²]		

Performance

Focal length [mm]	38
Beam angle	60°
Diameter GOBO [mm]	50, 66
Image size max. [mm]	40
Number of LEDs	16
System luminous flux [lm] 4,000 K	4,500

Electrical

Protection class	I / II
Voltage [V], [Hz]	-
Current max. [mA]	1,000
LED power max. [W]	46

Driver (external) Monochrome

Control Options	<input type="checkbox"/> ON <input type="checkbox"/> OFF
Programming [optional]	Constant lumen output (CLO) Emergency power supply (AC/DC) Stand-alone
Control accessories	Further accessories on request
Software	connex light management software for remote management of intelligent luminaire clusters

Accessories

