

ewo

empowering wellbeing outdoors

ewo.com

eWO

V-Notch pole

A unique pole solution designed for Chameleon





ewo

Things to know

V-Notch pole brings out the full design potential of the product.

It is compatible with all Chameleon's size hinge versions.

V-Notches are welded to the pole.

Due to their proximity to the installation surface the wider transformative accessories are not compatible.

Two V-Notches can't be placed at the same height.

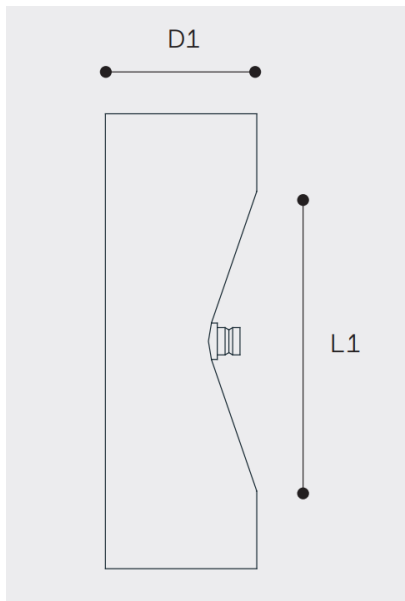


ewo

Dimensions

$$L1 = 10 \frac{3}{16}''$$

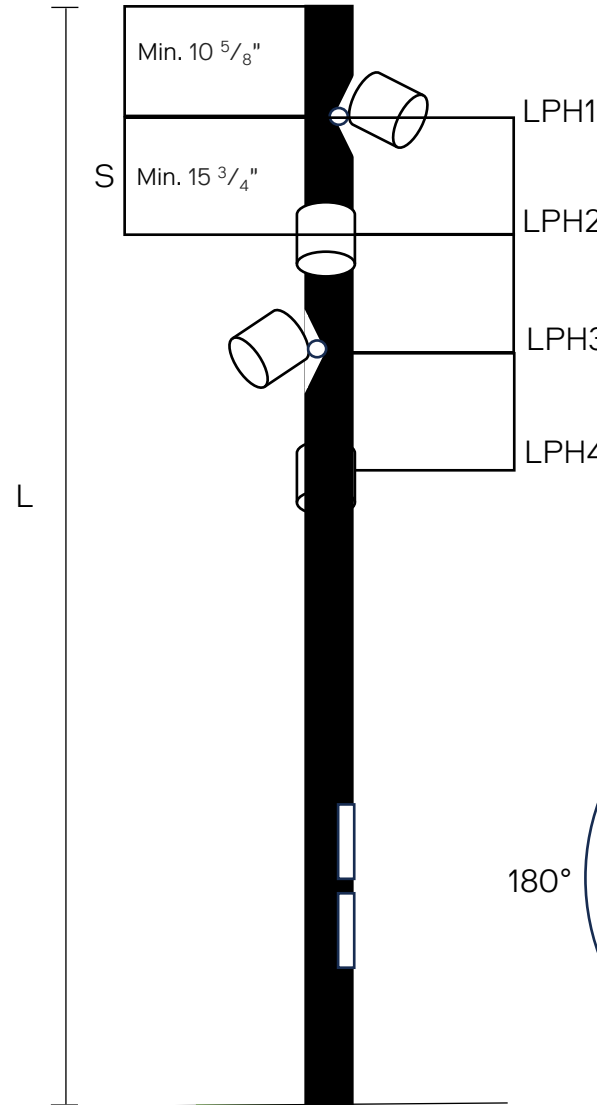
$$D1 = \text{Ø } 5 \frac{1}{4}'' \times \frac{3}{16}''$$





Specifying V-Notch pole

1. Pole height (L) - max 32' 9 ¹¹/₁₆''.
2. Buried base or flange plate.
3. Pole finish.
4. Light point height (LPH) of each Chameleon, starting from the highest one. The minimum spacing (S) between each luminaire is 15 ³/₄'' . The minimum spacing from the top of the pole to the first luminaire is 10 ⁵/₈''.
5. Total quantity of Chameleons on the pole (Q) - Max. 7.
6. Specify the angle between door and projector (α) for each Chameleon, starting from the highest one.
7. Which Chameleon size is needed.
8. Number of doors (1 or 2).



$$L = 236 \frac{1}{4}'' \text{ (max. } 32' 9 \frac{11}{16}'' \text{ mm)}$$

$$Q = 4 \text{ (max. } 7)$$

$$\text{LPH1} = 196 \frac{7}{8}'' \text{ (min. } 8 \frac{11}{16}'' \text{ from top of the pole)}$$

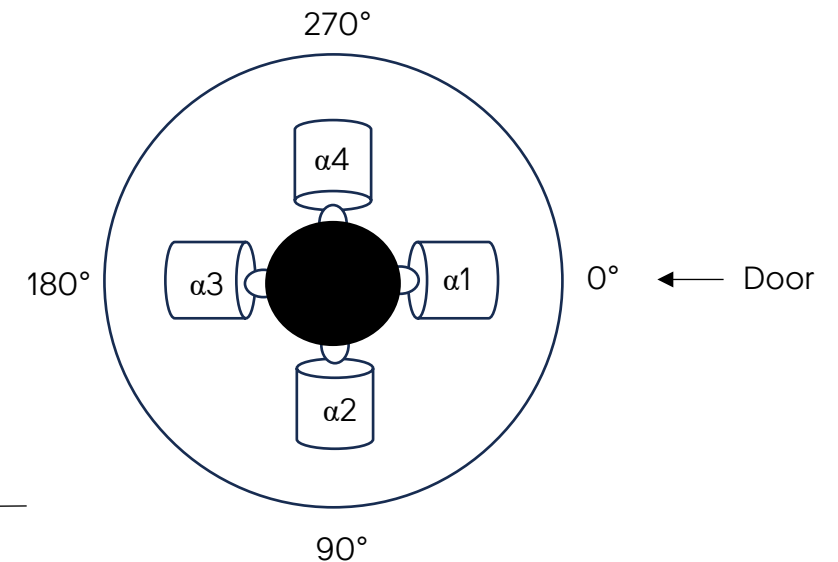
$$\text{LPH2: } 177 \frac{3}{16}''$$

$$\text{LPH3: } 157 \frac{1}{2}''$$

$$\text{LPH4: } 137 \frac{13}{16}''$$

$$S = 19 \frac{11}{16}'' \text{ mm (min. } 15 \frac{3}{4}'')$$

$$\alpha_1 = 0^\circ ; \alpha_2 = 90^\circ ; \alpha_3 = 180^\circ ; \alpha_4 = 270^\circ$$





Notes

Max. 32' 9 ¹¹/₁₆" pole

Up to 7 Chameleons per pole (C90–C365)

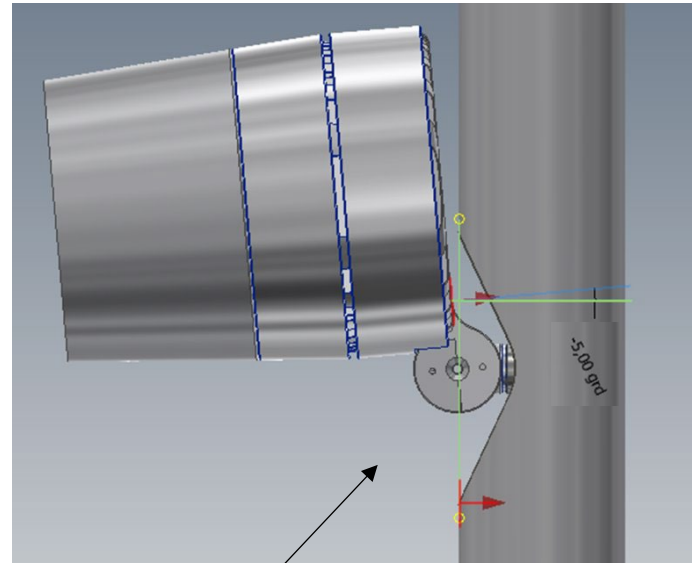
Min 15 ³/₄" spacing

Reinforced doors supplied by ewo

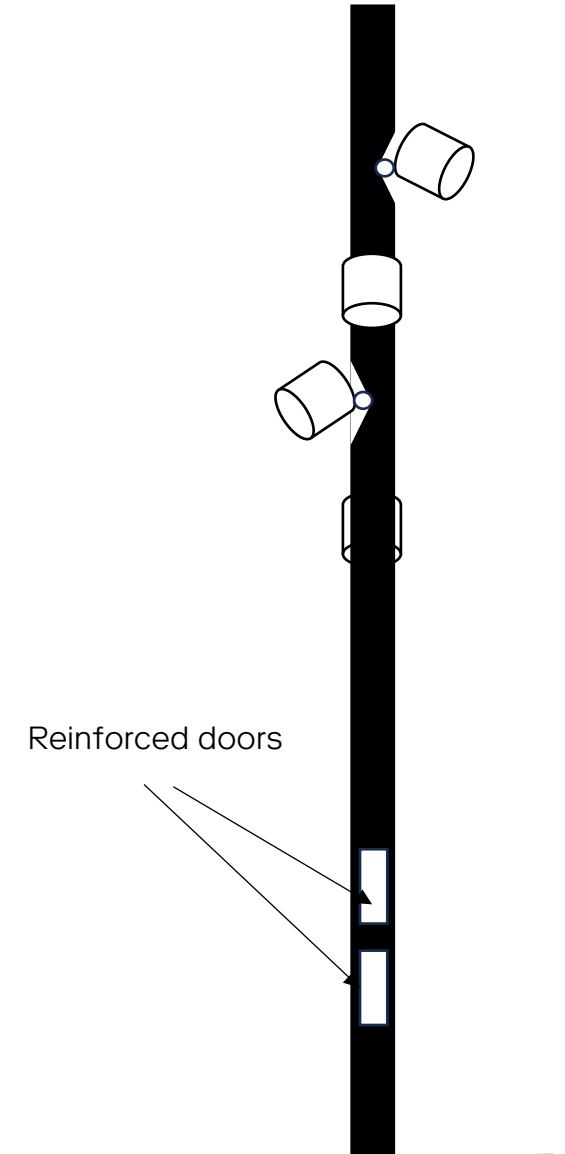
Chameleons can be rotated
Min tilt 5° (see image).

Max wind speed compatible: 89 ft/s

Ground category II (urban and suburban areas, minimum 1.24 miles from the coast).



Min. tilt 5°



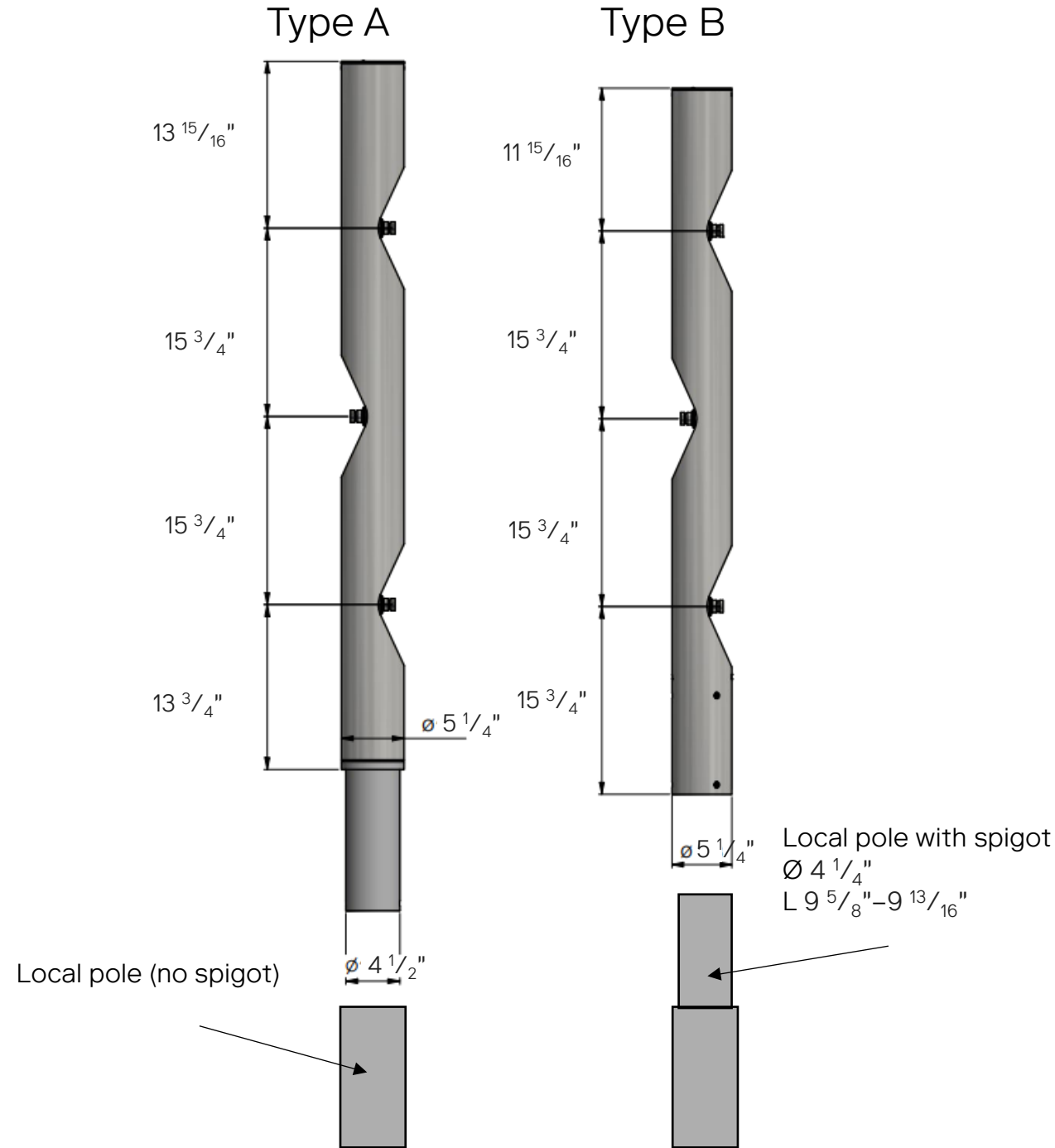
Reinforced doors



A&B V-Notch pole types

Two V-Notch configurations are available as standard offer (see picture).
These elements can be coupled to a locally sourced pole (therefore reducing shipping costs).

Type A solution is with spigot, Type B without it.





Notes for Type A&B V-Notch

Dimensions as per drawings in previous page.

Weight for both solutions: 66 lbs (projectors excluded)

Total length of both solutions: $59 \frac{3}{16}$ " (excluding spigot for type A).

Distance between luminaires: $15 \frac{3}{4}$ ".

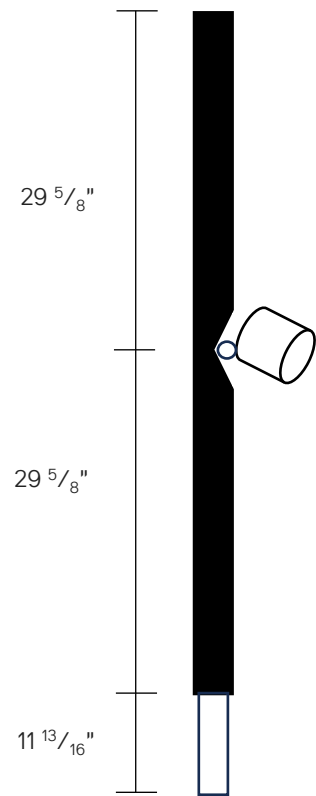
Up to 3 projectors (C90-C365) per pole. If more are needed, please talk to our team.

This pole section must always be the top part of the pole.

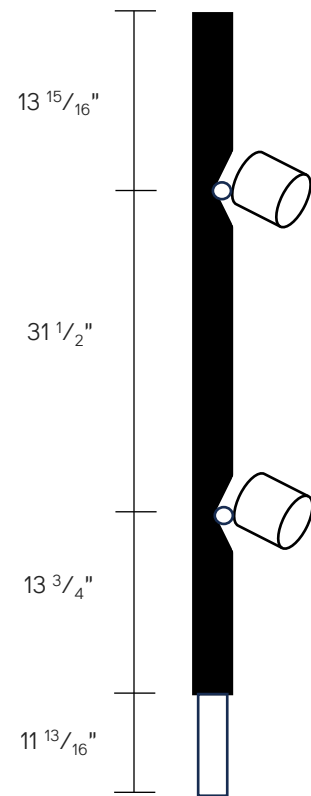
ewo assumes no responsibility for the statics of the local pole.

eWO

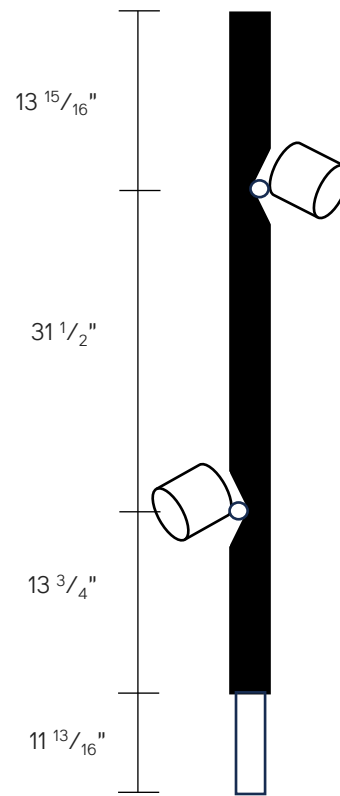
Configurations for Type A



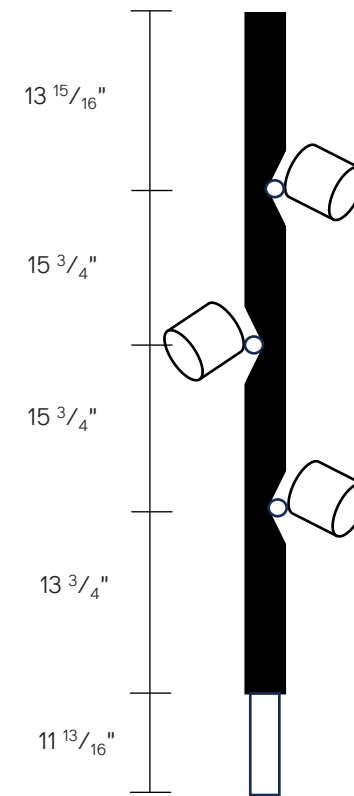
1



2



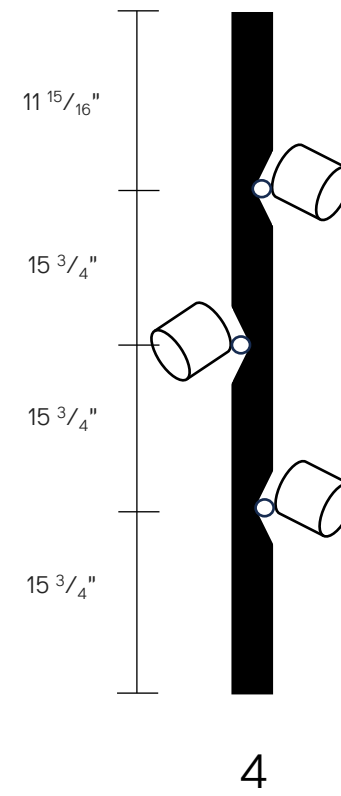
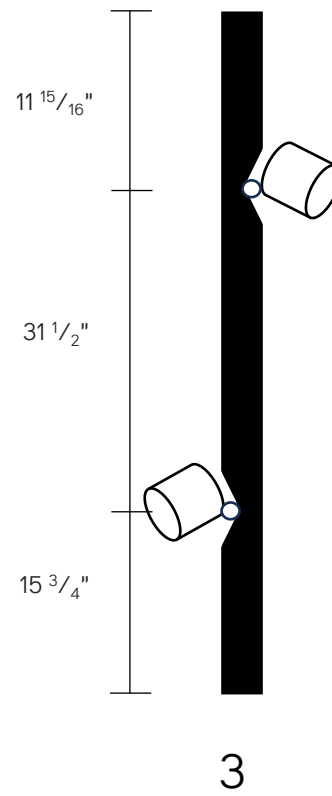
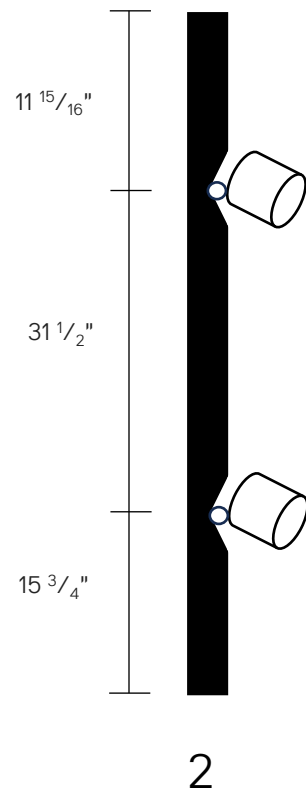
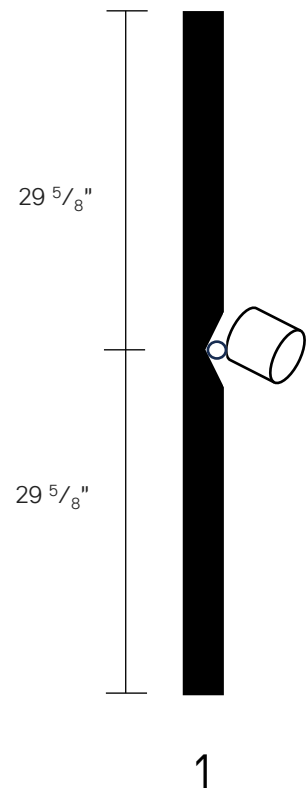
3



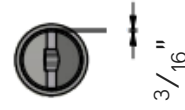
4

eWO

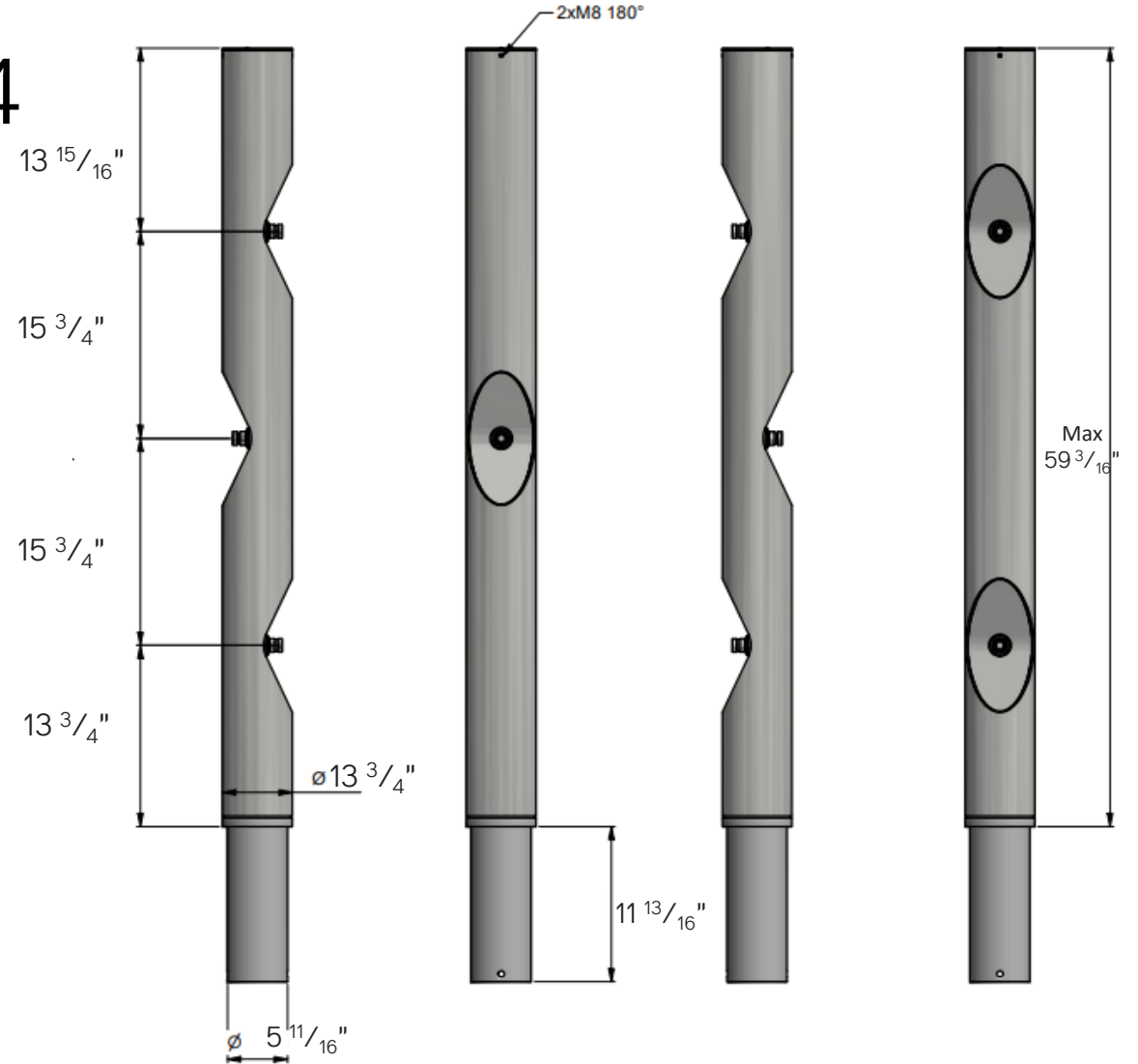
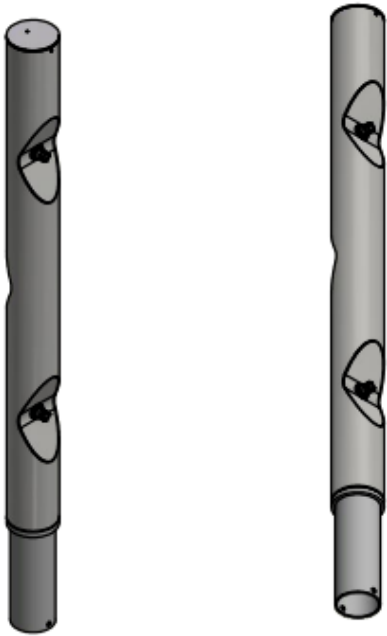
Configurations for Type B



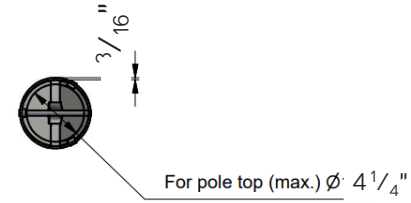
eWOW



Detailed drawing Type A - 4

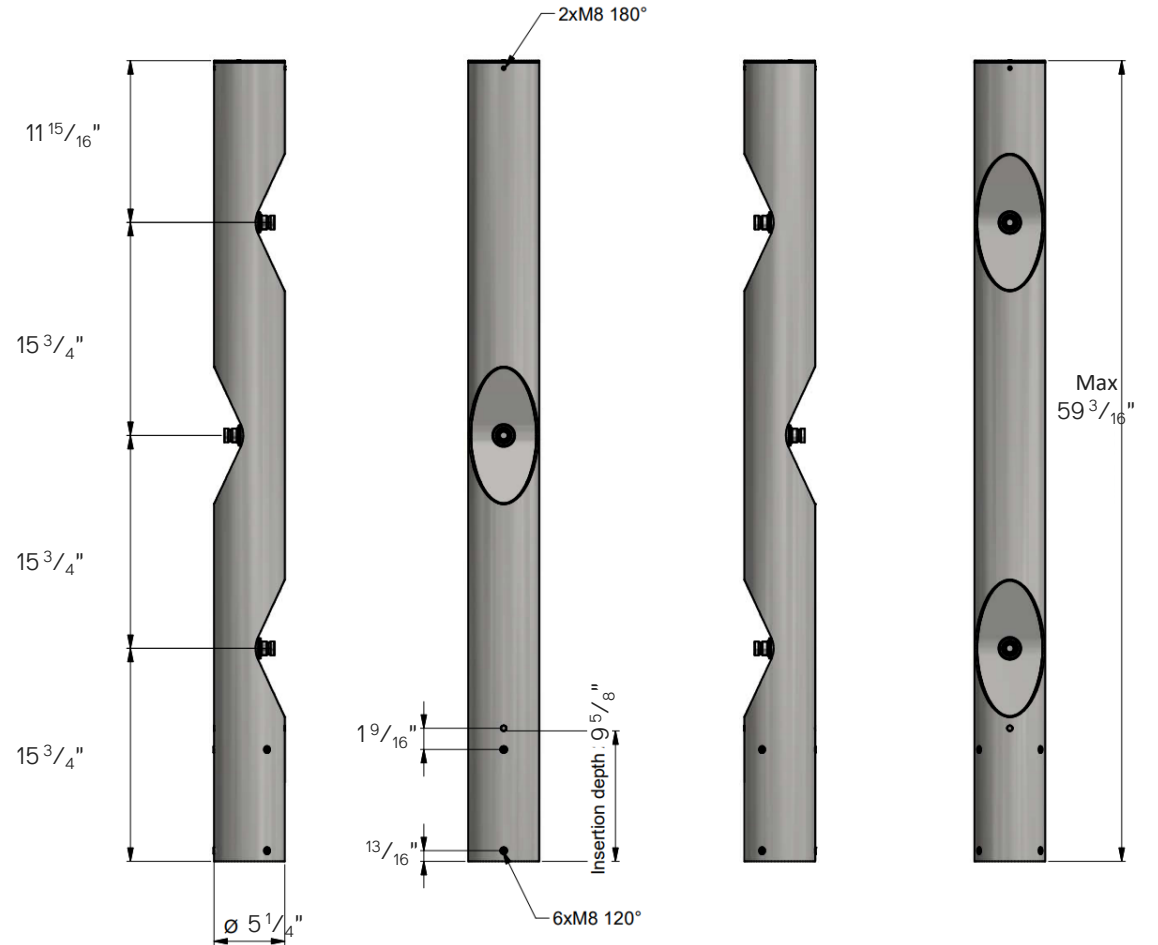
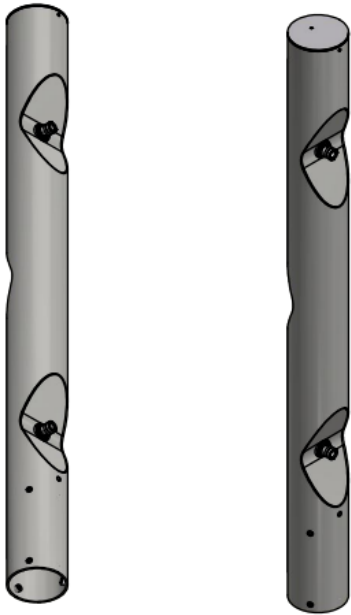


eWO



Local pole spigot dimensions:
 \varnothing 4 1/4"
L 9 5/8"–9 13/16"

Detailed drawing Type B - 4



e w o